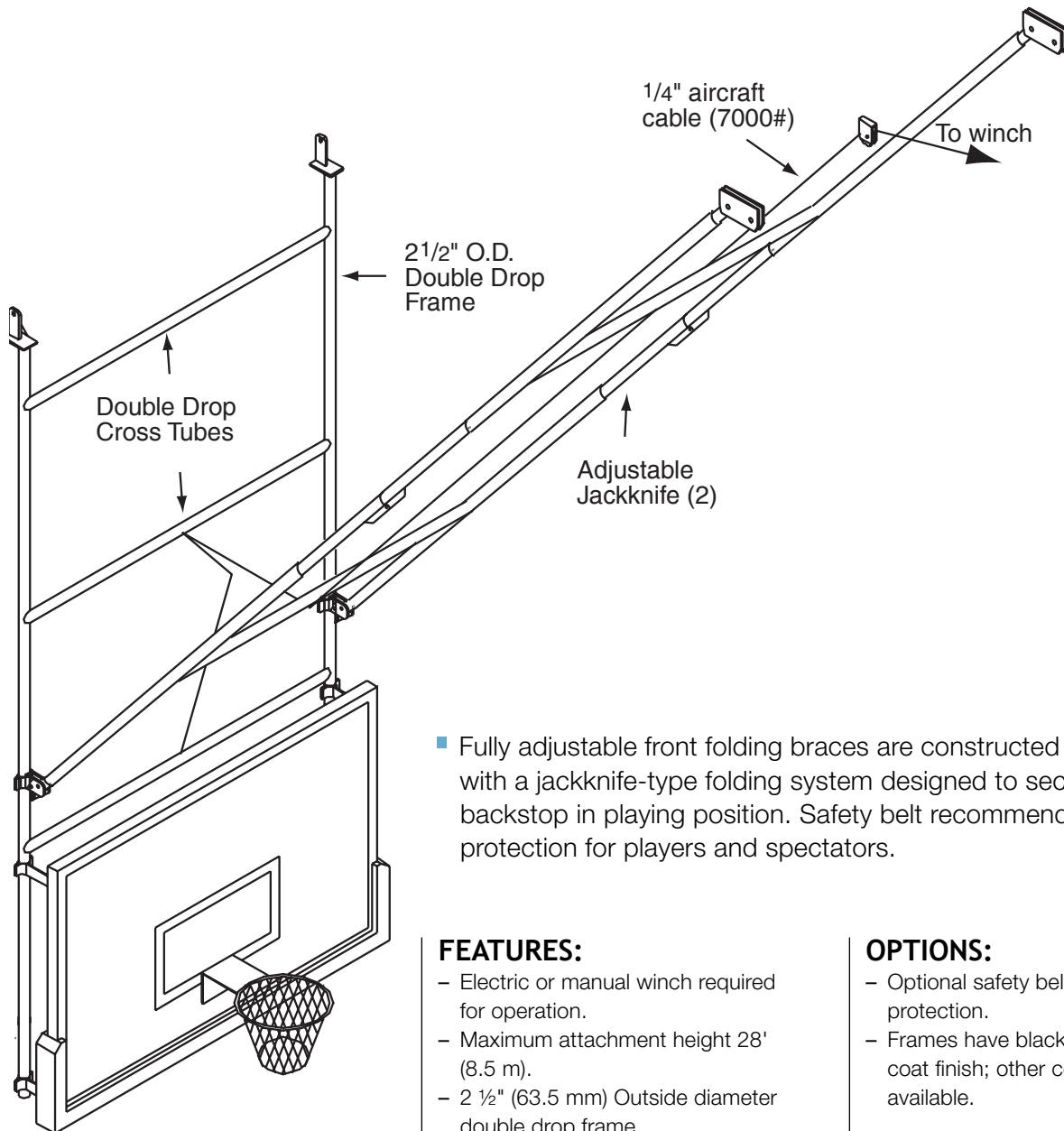


BASKETBALL BACKSTOPS DDTF-20

DOUBLE-DROP, CEILING SUSPENDED, FORWARD-FOLDING, FRONT BRACED



- Fully adjustable front folding braces are constructed of steel tubing with a jackknife-type folding system designed to securely hold backstop in playing position. Safety belt recommended for added protection for players and spectators.

FEATURES:

- Electric or manual winch required for operation.
- Maximum attachment height 28' (8.5 m).
- 2 1/2" (63.5 mm) Outside diameter double drop frame.



SUPPORTING DOCUMENTS

Access dimensions, specifications, instructions, technical drawings and other supporting documents located at:

draperinc.com/documents.aspx

For more information on this product visit:

draperinc.com/gymequipment/basketballbackstops.aspx

OPTIONS:

- Optional safety belt available for added protection.
- Frames have black or white powder coat finish; other color options available.